

Specifications

Model name	ALE 223R	ALE 323R	ALE 623R	ALE 1203R	ALE 1502R	ALE 2202R	ALE 3202R	ALE 6202R	ALE 8201R	ALE 15001R
Capacity	220g	320g	620g	1200g	1500g	2200g	3200g	6200g	8200g	15000g
Readability (d)	1mg	1mg	1mg	1mg	0.01g	0.01g	0.01g	0.01g	0.1g	0.1g
Verification intervals (e)	10mg	10mg	10mg	10mg	0.1g	0.1g	0.1g	0.1g	1g	1g
Class	II	II	II	I	II	II	II	II	II	II
Calibration	With internal weight or external weight									
Repeatability *1	1mg	1mg	1mg	1mg	0.01g	0.01g	0.01g	0.01g	0.1g	0.1g
Stabilization time *2	1.6 sec.	1.6 sec.	1.6 sec.	2.0 sec.	1.6 sec.	1.6 sec.	1.6 sec.	1.6 sec.	1.6 sec.	1.6 sec.
Dimension (LxWxH)	180x230x75mm (not including windshield)					190x260x85mm				

*1 standard deviation *2 typical value

Model name	ALE 223	ALE 323	ALE 623	ALE 1203	ALE 1502	ALE 2202	ALE 3202	ALE 6202	ALE 8201	ALE 15001
Capacity	220g	320g	620g	1200g	1500g	2200g	3200g	6200g	8200g	15000g
Readability (d)	1mg	1mg	1mg	1mg	0.01g	0.01g	0.01g	0.01g	0.1g	0.1g
Verification intervals (e)	10mg	10mg	10mg	10mg	0.1g	0.1g	0.1g	0.1g	1g	1g
Class	II	II	II	I	II	II	II	II	II	II
Calibration	With external weight									
Repeatability *1	1mg	1mg	1mg	1mg	0.01g	0.01g	0.01g	0.01g	0.1g	0.1g
Stabilization time *2	1.6 sec.	1.6 sec.	1.6 sec.	2.0 sec.	1.6 sec.	1.6 sec.	1.6 sec.	1.6 sec.	1.6 sec.	1.6 sec.
Dimension (LxWxH)	180x230x75mm (not including windshield)					190x260x85mm				

*1 standard deviation *2 typical value

Options

Output options : Extension RS232C, Ethernet, Relay contact
* only one option can be installed.

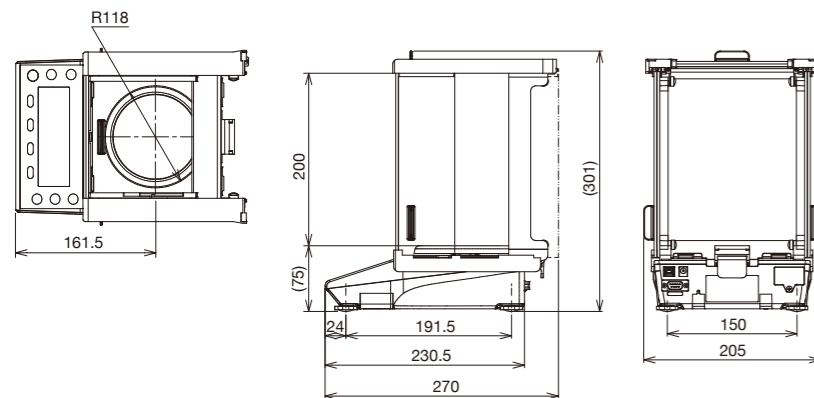
Other options : Specification gravity measurement kit

Common specifications

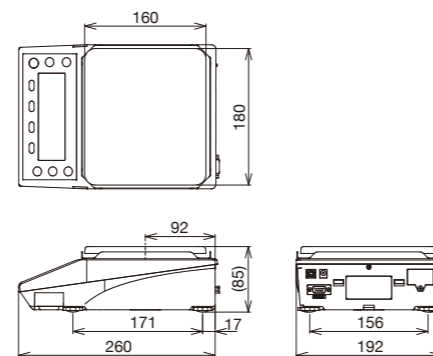
Measuring system : Tuning-fork frequency sensing
Tare : Full weighing range
Display : 7 segments LCD (main display)
 16 segments LCD (sub display)
Power source : AC adapter: Input 100-240VAC, 50-60Hz / Output 5.95VDC
 Dry-cell battery: AA batteries 4pcs
 (with backlit OFF, communication signal OFF: 150-hour continuous operation)
 (with backlit ON, communication signal ON: 15-hour continuous operation)
Output : RS232C & USB (typeB)

Dimensions

■ ALE 223(R) - ALE 1203(R)



■ ALE 1502(R) - ALE 15001(R)



Please see our website when you need drawing in electric format.
 The contents of this catalogue are subject to change due to modifications and/or other reasons.

SHINKO DENSHI CO., LTD.

SHINKO DENSHI CO., LTD.
 3-9-11 YUSHIMA, BUNKYO-KU, TOKYO 113-0034
 TEL : 81-3-3831-9656 FAX : 81-3-5818-6066
 URL : <http://www.vibra.co.jp/global/>
 E-mail : shinko-denshi@vibra.co.jp
www.facebook.com/VIBRAbalance

Distributed by:



1612-k

ALE Series



Optimize your Laboratory Weighing



JQA-2834
TSUKUBA



ISO 14001:2004
ER-00130

SHINKO DENSHI CO., LTD.

Optimize your laboratory weighing

- Compact housing
- Short stabilization time
- User friendly operation

ALE provides three advantages as key value. ALE series is new answer to optimized weighing operation in the laboratory.

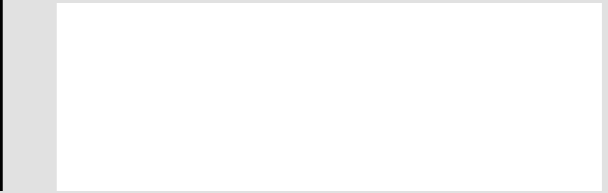
ALE Series

ALE 6202

ALE 1203

Minimize operation time with "Free keys"

Three keys on the front can work as "free keys". You can assign short-cut of often used functions on these keys. You don't need to push keys many times and minimize operation time.



Short stabilization time

ALE is the most space-saving precision balance. You can install the balance wherever you want, even in very small laboratory.

Compact housing

We have considerably reduced stabilization time by improved filtering technology. Short stabilization time is indispensable for efficient weighing operation.

Battery drive

ALE can be operated with dry-cell batteries thanks to low power consumption in tuning-fork sensor unit. Battery is useful also as reserve electric power.

Communication with outside devices

Specific gravity measurement, formulation, parts counting, etc... Much applications are available with comfortable operation.

Software applications

RS232C and USB are installed as standard to connect to outside devices like PC and printer. Extension RS232C, ethernet and relay contact can be available as additional option.